

LTC-6RDWPH

LITEISTRY 6" ROUND CYLINDER WITH POWERHUBB™

LITEISTRY™

FEATURES

- 6" architectural LED downlight and wall wash cylinder delivering 600 - 2000 lm
- Five beam distributions from 0.3 to 1.1 Spacing Criteria
- Quiet reflector appearance with 50° optical cutoff
- 2700K - 5000K, 80+ and 90+ CRI options
- Available in Surface, Wall, Pendant, or Cable/Cord Mount configurations
- Versatile canopy options for recessed and surface-mounted J-box applications
- PowerHUBB™ enables low-voltage wired connectivity for Power over Ethernet (PoE) network system deployment



RELATED PRODUCTS

Ø 3" LITEISTRY Family

Ø 4" LITEISTRY Family

Ø 6" LITEISTRY Family



(Select Models)

CONTROL TECHNOLOGY



SPECIFICATIONS

CONSTRUCTION

- Seamless heavy gauge aluminum cylinder body with a clean appearance
- Available in Surface (S), Wall (W), Pendant (P), or Cable/Cord (CM) mounting types
- Canopy options include Conduit Canopy (CC), Power Canopy (PC), Power Conduit Canopy (PCC), or Recessed Mount Driver (RMD). (See Dimensions section for details)
- For S, P, or CM mounting with CC canopy option, use 4" octagonal junction box (by others)
- All Wall Mount: Die cast aluminum mounting arm allows direct mounting to standard 4" octagonal or square junction box
- Pendant Mount canopy options allow sloped ceiling up to 35° (5° for RMD)
- Select from 4 standard architectural painted finishes, Brushed Aluminum, or specified custom color

OPTICS

- Visually pleasing 50° cutoff to source and source image
- The light distribution is free of distracting bright spots or pixelation and the perimeter has a smooth transition
- Optical grade silicone lens integral to light engine
- High purity spun aluminum reflector, self-flanged
- Large selection of anodized finishes and colors

OPTICS (CONTINUED)

- Painted cones and flange options available

ELECTRICAL

- Chip-on-board (COB) LED with 2 SDCM
- Multiple CCTs, 80+ or 90+ CRI
- Long LED life: L90 at >55,000 (TM-21)
- PowerHUBB™ enables low-voltage wired connectivity for Power over Ethernet (PoE) network system deployment
- EMI Filtering (FCC 47 CFR Part 15) Class A

INSTALLATION

- Light Engine/Trim assembly is mechanically secured with torsion springs for ease of installation
- A quick connect is provided for easy maintenance or upgrade
- Recessed Mount Driver (RMD) is accessible from above or below ceiling; assembly mounts with 1/4-20 threaded rod (by others) and requires 6" plenum clearance
- Conduit Canopy options (CC or PCC) allow field selectable conduit entry (up to 4@ 90°) (See Dimensions section)
- Conduit Canopies utilize a patent pending mounting yoke to secure cylinder to the ceiling surface
- Cable/Cord can be cut in the field to custom length
- Standard and Custom Pendant lengths available (specify when ordering)6" plenum clearance (Non-IC rated)

CERTIFICATIONS

- cCSAus certified to UL 2108
- Wall Mount (except CC): Suitable for wet locations
- Pendant Mount (except PCC): Suitable for wet locations under covered ceiling
- Surface, Cable/Cord Mount, all Wall Wash, and all CC and PCC: Suitable for damp locations
- This product qualifies as a "designated country construction material" per FAR 52.225-11 Buy American-Construction. Materials under Trade Agreements effective 6/6/2020. See [Buy American Solutions](#).

WARRANTY

- 5 year warranty
- See [HLI Standard Warranty](#) for additional information

KEY DATA	
Lumen Range	600-2000
Wattage Range	8-23
Efficacy Range (LPW)	94-104*
Reported Life (Hours)	L90 / >55,000
Input Current (mA)	N/A

*Based on Specular, 35K, 80 CRI



LTC-6RDWPH

LITEISTRY 6" ROUND CYLINDER WITH POWERHUBB™

DATE: _____ LOCATION: _____

TYPE: _____ PROJECT: _____

CATALOG #: _____

ORDERING GUIDE

Example: LTC-6RDPH-CM15WHPCC-15L35K9WD-PMC-SS-WH

CATALOG # _____

LTC-6RDPH		Cylinder Mounting		Canopy Option		Lumen Output		CCT		CRI	
Aperture/Shape/Function		S	Surface	<i>Refer to chart on Page 3 for available canopy options based on driver/controls selection</i>		06L	600 Lumens ³	27K	2700K	8	80+ CRI
LTC-6RDPH	6" Round Downlight Cylinder	W	Wall			10L	1000 Lumens ³	30K	3000K	9	90+ CRI
LTC-6RWPH	6" Round Wall Wash Cylinder	P	Pendant (Standard) Nominal 18" length from cylinder top to ceiling ⁶	<i>Standard Canopy^{3,5}</i>		15L	1500 Lumens ³	35K	3500K		
		P_	Pendant (Custom) Specify length from cylinder top to ceiling in 1 inch increments from 15 to 60 ⁶			20L	2000 Lumens ³	40K	4000K	50K	5000K ¹
		Cable/Cord⁴		CC	Conduit Canopy ^{3,5}						
		CM	6ft Clear Cord	PC	Power Canopy ^{3,5}						
		CMBL	6ft Black Cord	PCC	Power Conduit Canopy ^{3,5}						
		CMWH	6ft White Cord	RMD	Recessed Mount Driver ^{3,5}						
		CM15	15ft Clear Cord								
		CM15BL	15ft Black Cord								
		CM15WH	15ft White Cord								

Distribution		PowerHUBB Node		Reflector Finish		Reflector Color		Flange Color Options	
VNR	Very Narrow (0.3 SC/20°)	PM	PowerHUBB™, On/Off/1% Dim, Master	<i>Finish not applicable with painted reflectors (WC or BC)</i>		<i>Standard Clear</i>		<i>Standard matches reflector color</i>	
NR	Narrow (0.4 SC/29°)	PMC	PowerHUBB™, On/Off/1% Dim, Control Inputs, Master						
MD	Medium (0.7 SC/37°)			SS	Semi-Specular	BL	Black	BT	Black Flange ²
WD	Wide (0.9 SC/59°)	PS	PowerHUBB™, On/Off/1% Dim, Satellite	MFC	American Matte™	LW	Light Wheat		
XW	Extra Wide (1.1 SC/76°)	PSC	PowerHUBB™, On/Off/1% Dim, Control Inputs, Satellite	VS	Softglow®	PW	Pewter		
WW	Wall Wash			VSS	SoftSheen™	WC	Painted White Cone and Flange		
						BC	Painted Black Cone and Flange		

Exterior Cylinder Color	
BA	Brushed Aluminum ⁷
BZ	Bronze
BL	Matte Black
WH	Matte White
SVR	Silver
CC_	Custom Color
TCC_	(Specify RAL#, Example: CCRAL1073) True Custom Color (Specify description, Example: TCC BABY BLUE, Paint chip must be provided to match)

- Notes:
- 1 5000K available in 80+ CRI only.
 - 2 WT not needed for WC, BT not needed for BC.
 - 3 For lumen outputs/configurations available, see chart on page 3.
 - 4 Cable/Cord can be cut in the field to custom length.
 - 5 See Dimensions section for canopy configuration details.
 - 6 Stem length varies by canopy configuration. See Dimensions section for details.
 - 7 Canopy color for Brushed Aluminum is Black.



LTC-6RDWPH

LITEISTRY 6" ROUND CYLINDER WITH POWERHUB™

DATE: _____ LOCATION: _____

TYPE: _____ PROJECT: _____

CATALOG #: _____

DRIVER/CONTROL OPTION AVAILABILITY

Driver and Control options listed below are available in the configurations and lumen packages as shown.

Driver/Control Option		Cylinder Mounting ¹	Canopy Options ²	06L	10L	15L	20L
All PH	0-10V 5%	W	Standard/CC	●	●	●	●
		P/S/CM	PC/PCC/RMD	●	●	●	●

- 1 See Cylinder Mounting chart.
- 2 See Canopy Options chart and Dimensions section for details.
- 3 RMD is Non-IC rated unless noted.
- 4 IC Rated.

Cylinder Mounting	
W	Wall Mount
S	Surface Mount
CM	Cable/Cord Mount
P	Pendant Mount

Canopy Options	
(Blank)	Standard Canopy
CC	Conduit Canopy
PC	Power Canopy
PCC	Power Conduit Canopy
RMD	Recessed Mount Driver ³

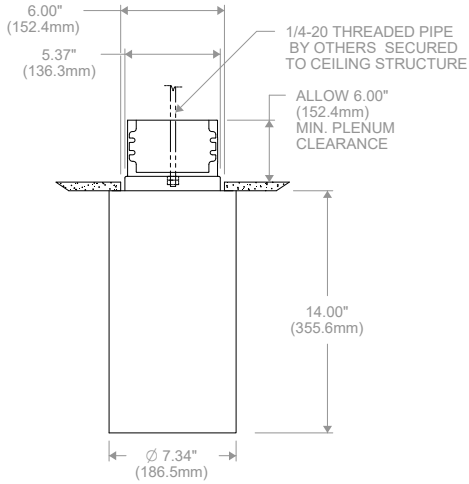
PERFORMANCE DATA TABLE

Performance data provided below is for 3500K, 80 CRI with Specular Clear reflector finish/color

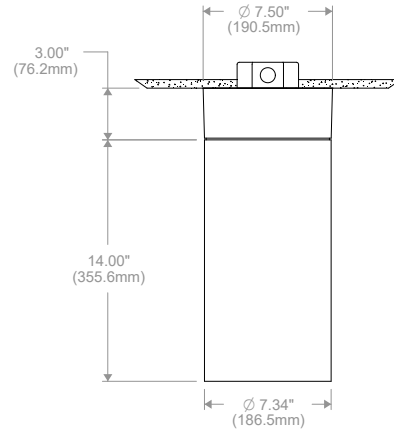
Lumen Package	Nominal Lumens	Distribution	Delivered Lumens	Watts	LPW
06L	600	Very Narrow	806	7.8	103
		Narrow	717	7.8	92
		Medium	746	7.8	96
		Wide	691	7.8	89
		Extra Wide	665	7.8	85
		Open Single Wall Wash	711	7.8	91
10L	1000	Very Narrow	1288	12.0	107
		Narrow	1146	12.0	96
		Medium	1192	12.0	99
		Wide	1104	12.0	92
		Extra Wide	1063	12.0	89
		Open Single Wall Wash	1136	12.0	95
15L	1500	Very Narrow	1851	18.7	99
		Narrow	1623	18.7	87
		Medium	1712	18.7	92
		Wide	1586	18.7	85
		Extra Wide	1527	18.7	82
		Open Single Wall Wash	1631	18.7	87
20L	2000	Very Narrow	2355	22.6	104
		Narrow	2263	22.7	100
		Medium	2265	22.6	100
		Wide	2180	22.7	96
		Extra Wide	2139	22.7	94
		Open Single Wall Wash	2211	22.8	97

DIMENSIONS

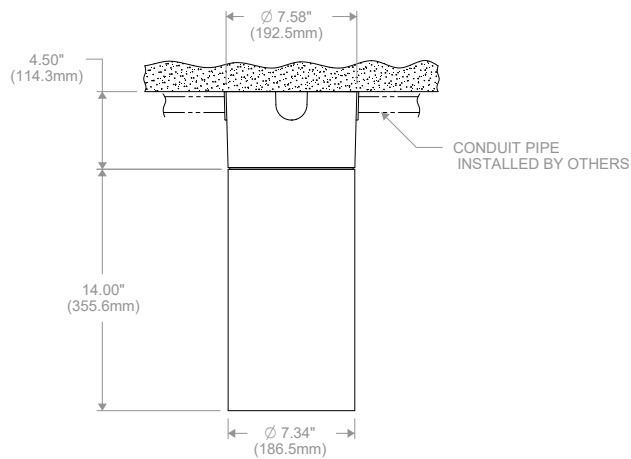
SURFACE (S)



Surface Recessed Mount Driver SRMD



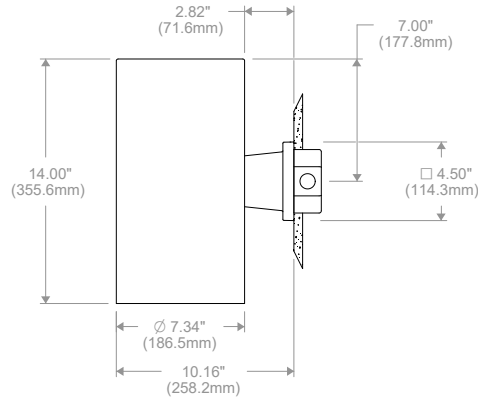
Surface Power Canopy SPC



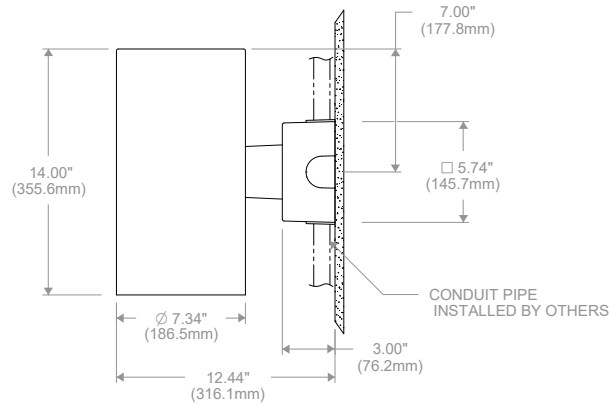
Surface Power Conduit Canopy SPCC

DIMENSIONS

WALL (W)



**Wall
Standard Canopy
W**



**Wall
Conduit Canopy
WCC**

LTC-6RDWPH

LITEISTRY 6" ROUND CYLINDER WITH POWERHUB™

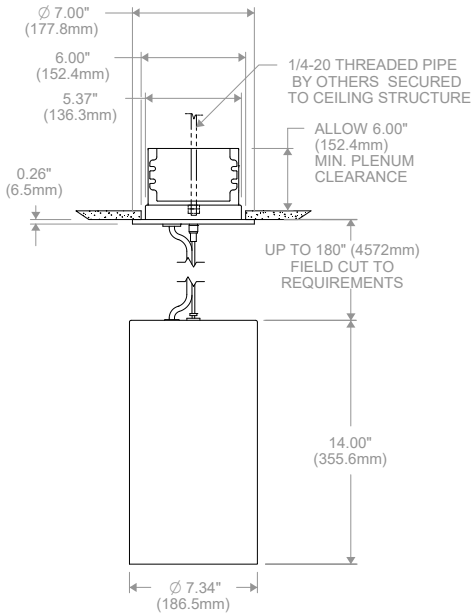
DATE: _____ LOCATION: _____

TYPE: _____ PROJECT: _____

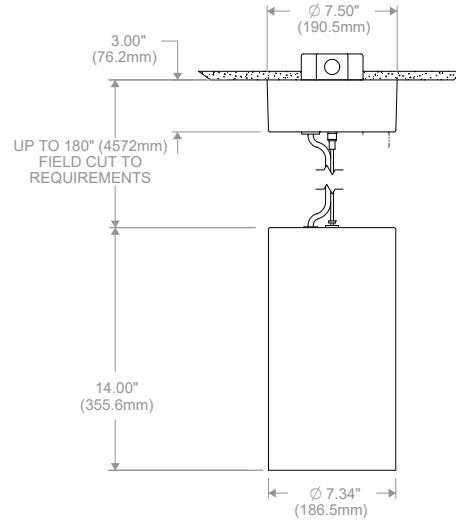
CATALOG #: _____

DIMENSIONS

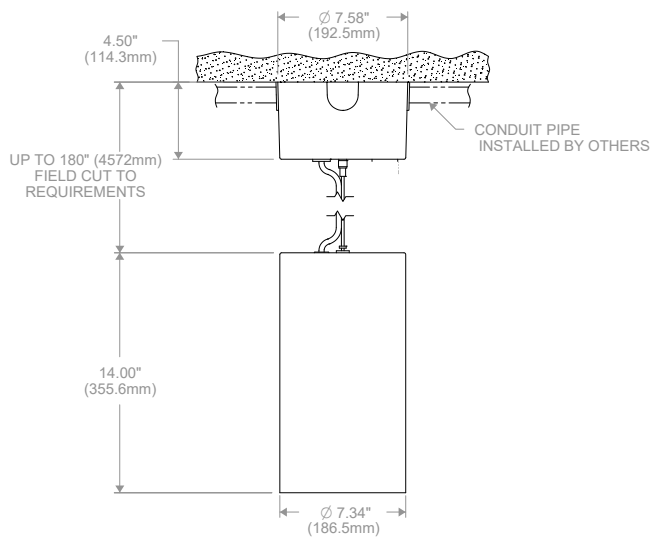
CABLE/CORD (CM)



**Cable/Cord
Recessed Mount Driver
CMRMD**



**Cable/Cord
Power Canopy
CMPC**



**Cable/Cord
Power Conduit Canopy
CMPCC**

LTC-6RDWPH

LITEISTRY 6" ROUND CYLINDER WITH POWERHUB™

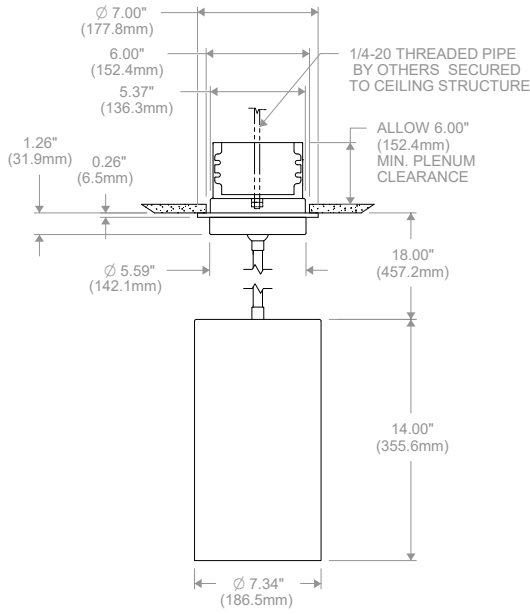
DATE: _____ LOCATION: _____

TYPE: _____ PROJECT: _____

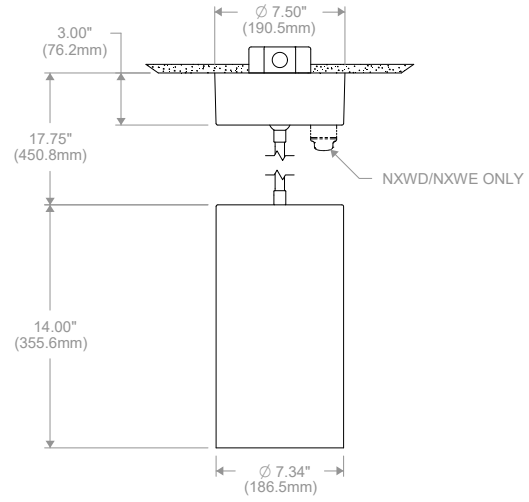
CATALOG #: _____

DIMENSIONS

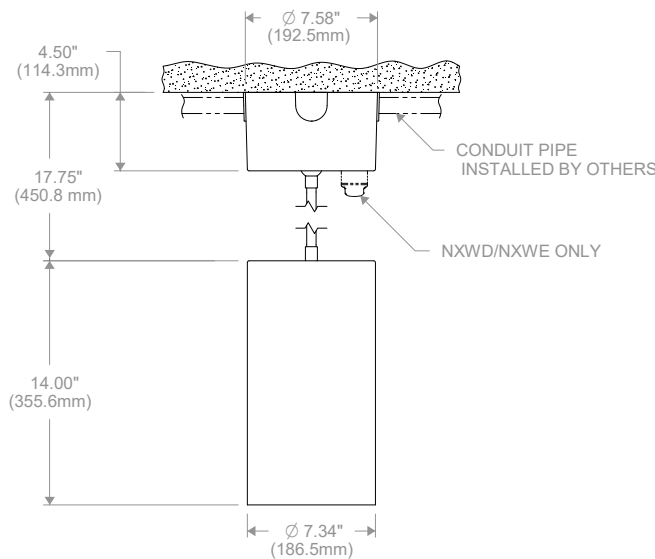
PENDANT (P)



Pendant Recessed Mount Driver PRMD



Pendant Power Canopy PPC



Pendant Power Conduit Canopy PPCC

LTC-6RDWPH

LITEISTRY 6" ROUND CYLINDER WITH POWERHUB™

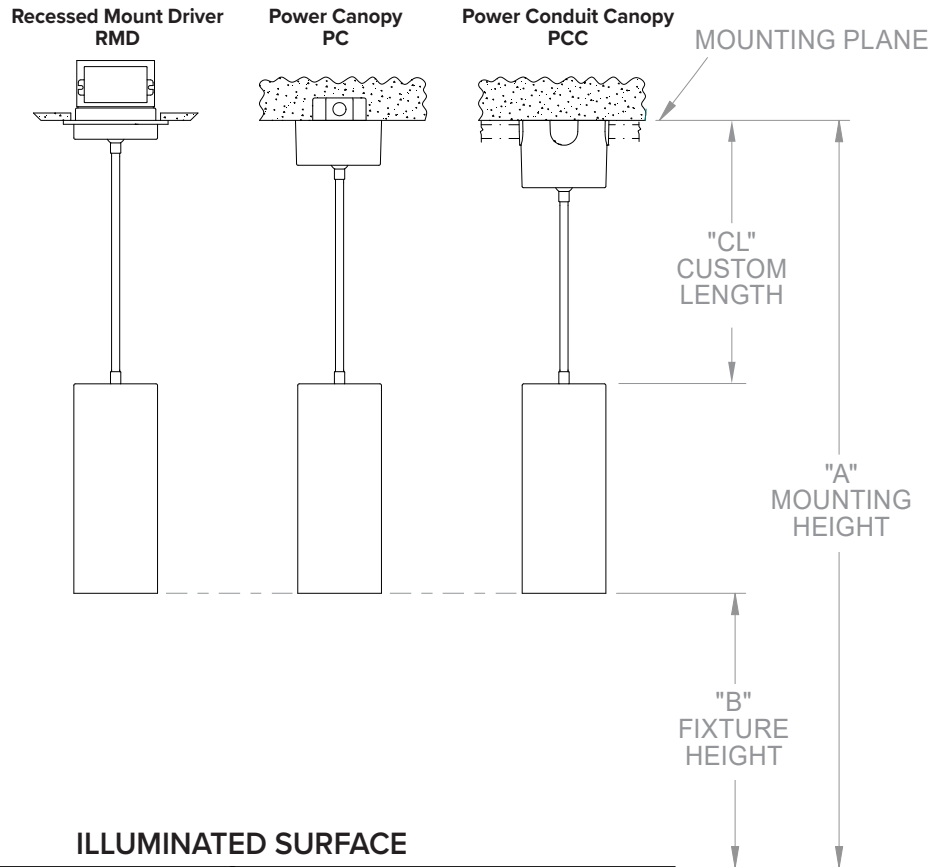
DATE: _____ LOCATION: _____

TYPE: _____ PROJECT: _____

CATALOG #: _____

DIMENSIONS

PENDANT CUSTOM LENGTH



Custom Length (CL) = Mounting Height (A) - Fixture Height (B) - 14" Cylinder

Ordering Example:

A (120") - B (72") - 14" = 34" Custom Length
LTC-6RD-P34

LTC-6RDWPH

LITEISTRY 6" ROUND CYLINDER WITH POWERHUB™

DATE: _____ LOCATION: _____

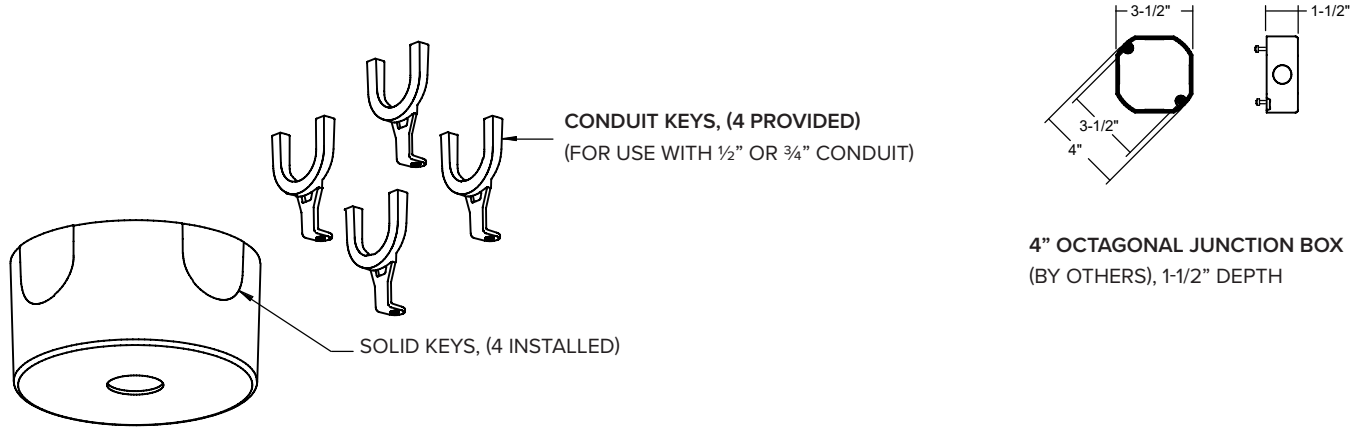
TYPE: _____ PROJECT: _____

CATALOG #: _____

DIMENSIONS

CONDUIT CANOPY DETAILS

CC and PCC Conduit Canopy options come standard with (4) Solid Keys installed and (4) Conduit Keys provided.
Accommodates a 4" octagonal junction box with 1-1/2" depth (by others).



CONDUIT MOUNTING EXAMPLES - FIELD INTERCHANGEABLE

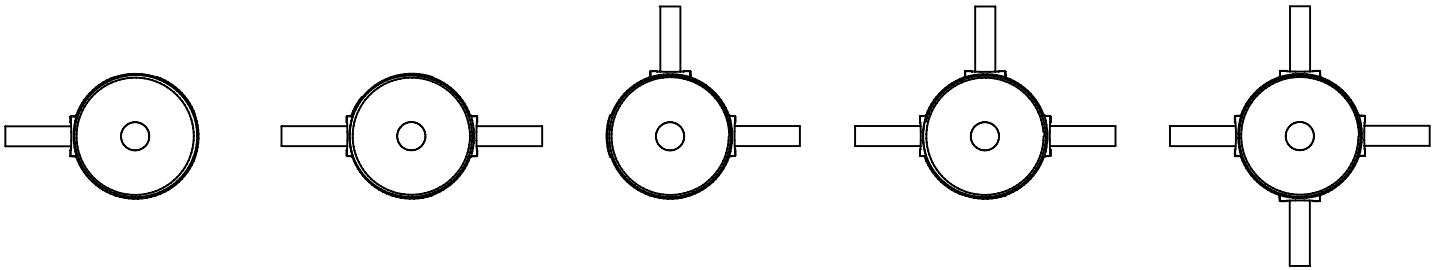
SINGLE

DOUBLE @ 180°

DOUBLE @ 90°

TRIPLE @ 90°

QUAD @ 90°



LTC-6RDWPH

LITEISTRY 6" ROUND CYLINDER WITH POWERHUB™

PHOTOMETRY

LTC-6RDPH-P-20L35K8VNR-PMC-S-BL

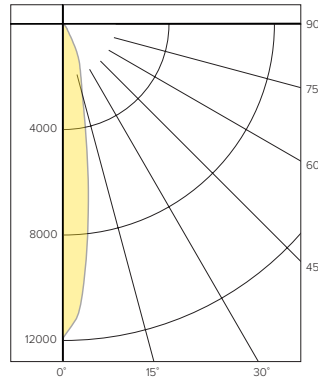
LUMINAIRE DATA

Test No.	R19.00588-C02
Description	2000 lm, Very Narrow, 3500K, 80 CRI
Delivered Lumens	2355
Watts	22.6W
Efficacy	104.0
Mounting	Pendant
Spacing Criterion	0.3
Beam Angle (FWHM)	18

ZONAL LUMEN SUMMARY

Zone	Lumens	% Luminaire
0-40	2290	97.2
0-60	2355	100.0
0-90	2355	100.0
0-180	2355	100.0

POLAR GRAPH



CANDELA DISTRIBUTION

Degree	Candela
0	11881
5	9399
15	2776
25	1236
35	255
45	74
55	0
65	0
75	0
85	0
90	0

LUMINANCE DATA*

Vertical Angle	Average
45°	6247
55°	0
65°	0
75°	0
85°	0

*Candela/Square Meter

LTC-6RDPH-P-20L35K8NR-PMC-S-BL

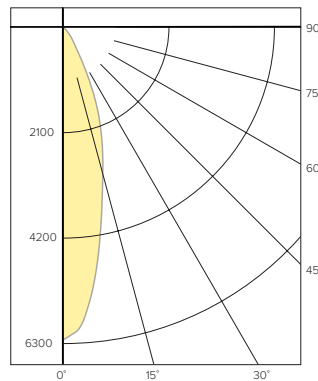
LUMINAIRE DATA

Test No.	R20.01439-C02
Description	2000 lm, Narrow, 3500K, 80 CRI
Delivered Lumens	2263
Watts	22.1W
Efficacy	103.0
Mounting	Pendant
Spacing Criterion	0.5
Beam Angle (FWHM)	29

ZONAL LUMEN SUMMARY

Zone	Lumens	% Luminaire
0-40	2185	96.6
0-60	2260	99.9
0-90	2263	100.0
0-180	2263	100.0

POLAR GRAPH



CANDELA DISTRIBUTION

Degree	Candela
0	6222
5	5603
15	3035
25	1354
35	348
45	83
55	5
65	2
75	1
85	0
90	0

LUMINANCE DATA*

Vertical Angle	Average
45°	6712
55°	498
65°	271
75°	221
85°	0

*Candela/Square Meter

LTC-6RDPH-P-20L35K8MD-PMC-S-BL

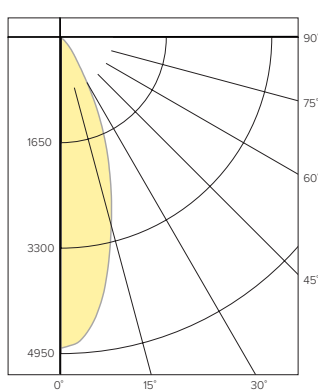
LUMINAIRE DATA

Test No.	R19.00587-02
Description	2000 lm, Medium, 3500K, 80 CRI
Delivered Lumens	2265
Watts	22.6W
Efficacy	100.0
Mounting	Pendant
Spacing Criterion	0.6
Beam Angle (FWHM)	37

ZONAL LUMEN SUMMARY

Zone	Lumens	% Luminaire
0-40	2171	95.9
0-60	2262	99.9
0-90	2265	100.0
0-180	2265	100.0

POLAR GRAPH



CANDELA DISTRIBUTION

Degree	Candela
0	4851
5	4619
15	3007
25	1450
35	386
45	99
55	6
65	2
75	1
85	0
90	0

LUMINANCE DATA*

Vertical Angle	Average
45°	8357
55°	624
65°	282
75°	231
85°	0

*Candela/Square Meter

LTC-6RDWPH

LITEISTRY 6" ROUND CYLINDER WITH POWERHUB™

PHOTOMETRY CONTINUED

LTC-6RDPH-P-20L35K8WD-PMC-S-BL

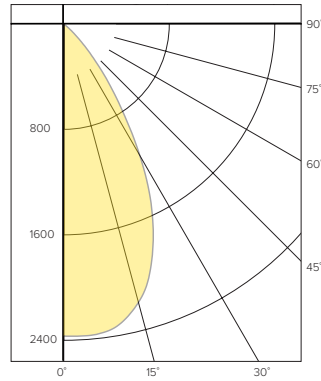
LUMINAIRE DATA

Test No.	R19.00585-02
Description	2000 lm, Wide, 3500K, 80 CRI
Delivered Lumens	2180
Watts	22.6W
Efficacy	96.1
Mounting	Pendant
Spacing Criterion	0.9
Beam Angle (FWHM)	59

ZONAL LUMEN SUMMARY

Zone	Lumens	% Luminaire
0-40	2014	92.4
0-60	2176	99.8
0-90	2180	100.0
0-180	2180	100.0

POLAR GRAPH



CANDELA DISTRIBUTION

Degree	Candela
0	2368
5	2371
15	2189
25	1591
35	726
45	177
55	10
65	3
75	1
85	0
90	0

LUMINANCE DATA*

Vertical Angle	Average
45°	14942
55°	1041
65°	424
75°	231
85°	0

*Candela/Square Meter

LTC-6RDPH-P-20L35K8XW-PMC-S-BL

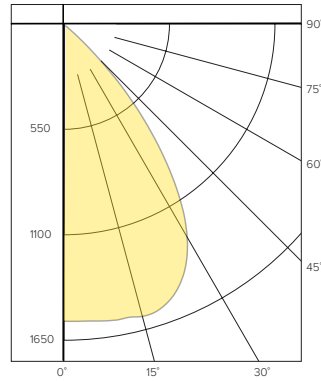
LUMINAIRE DATA

Test No.	R19.00586-02
Description	2000 lm, Extra Wide, 3500K, 80 CRI
Delivered Lumens	2139
Watts	22.7W
Efficacy	94.4
Mounting	Pendant
Spacing Criterion	1.1
Beam Angle (FWHM)	76

ZONAL LUMEN SUMMARY

Zone	Lumens	% Luminaire
0-40	1875	87.7
0-60	2134	99.8
0-90	2139	100.0
0-180	2139	100.0

POLAR GRAPH



CANDELA DISTRIBUTION

Degree	Candela
0	1547
5	1552
15	1576
25	1461
35	1007
45	301
55	9
65	3
75	1
85	0
90	0

LUMINANCE DATA*

Vertical Angle	Average
45°	25409
55°	937
65°	424
75°	231
85°	0

*Candela/Square Meter

LUMEN MULTIPLIER

Option	27K8	30K8	35K8	40K8	50K8	27K9	30K9	35K9	40K9
Multiplier	0.94	0.98	1.00	1.01	1.02	0.81	0.84	0.85	0.85

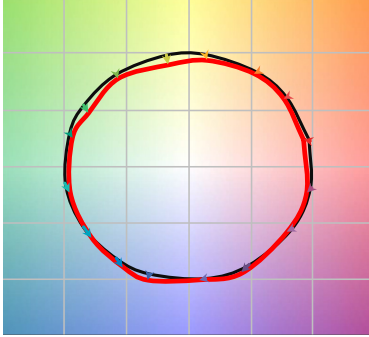
Photometrics are published below at a nominal 3500 Kelvin, 80+ CRI. This table may be used to approximate the lumen values at different Kelvin temperatures. Power consumption would stay the same.

LTC-6RDWPH

LITEISTRY 6" ROUND CYLINDER WITH POWERHUBB™

TM-30 DATA

COLOR VECTOR GRAPHIC
3500K, 90 CRI



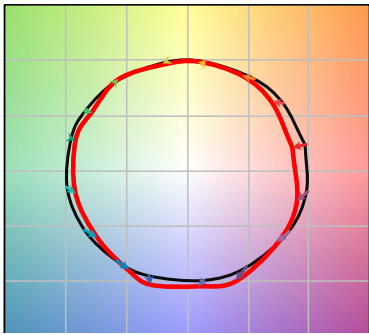
— Reference Illuminant — Test Source

COLOR DISTORTION GRAPHIC
3500K, 90 CRI



TEST RESULTS - 3500K		
Value	80+ CRI	90+ CRI
R _f	84	88
R _g	95	95
CCT (K)	3411	3419
D _{uv}	0.0015	0.0042
x	0.4120	0.4147
y	0.3974	0.4052
CIE R _a	84	93
CIE R _g	11	62

COLOR VECTOR GRAPHIC
3500K, 80 CRI



— Reference Illuminant — Test Source

COLOR DISTORTION GRAPHIC
3500K, 80 CRI



ELECTRICAL DATA

WATTAGE DATA		
Lumen Output	Nominal Lumens	WATTAGE
06L	600	8
10L	1000	12
15L	1500	19
20L	2000	23

* Wattage may vary based on configuration and options selected

ADDITIONAL INFORMATION

PowerHUBB™ POWERHUBB™ POE LIGHTING & CONTROL

Hubbell Control Solutions' PowerHUBB™ is an enterprise-level Power over Ethernet (PoE) lighting and control platform that seamlessly integrates luminaires, sensors, user interfaces and software for a scalable intelligent building control solution.

See separate [PowerHUBB™ In-Fixture Solutions Guide](#) and [Hubbell Control Solutions PowerHUBB Brochure](#) for more details.